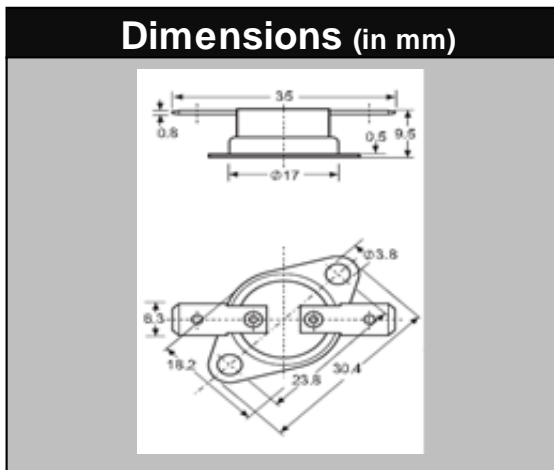


In-Stock Standard Open-on-Rise 1/2" Snap Disc Thermostats

For more than 25 years, Comstat has been providing thermal solution products to heat, sense and prevent overheating for applications across a variety of markets, all of which have exacting requirements for quality, reliability and performance. Certs: UL and VDE

- ✓ Medical Diagnostic Equipment
- ✓ Analytical Instrumentation
- ✓ Commercial HVAC Equipment
- ✓ Commercial Food Service Equipment
- ✓ Adhesive Dispensing
- ✓ Electric Heater Applications
- ✓ Commercial and Industrial Electric Appliances



NOTE: *Mounting clip rotates to allow for terminal alignment. It locks in place when mounted.*

General Technical Data

Operation Open on Rise (heating)
 Close on Rise (cooling)
 Max Elec. ...TK24-... 16 Amps @ 250 VAC
 Tk24HT ...10 Amps power Coeff. 0.95
 Contact Resistance < 0.05 ohms
 Life Cycles Min.100,000 (@10 amps)
 Min 30,000 (@16 amps)
 TK24HTMin 10,000 (@10 amps)
 Response time 3ms
 Dielectric Strength 1500V
 Heating Speed, K/min ... Min. 0.1; max 1.0
 ROHS Certified, UL and VDE

Standard Stock Precision Thermostats								
Model Type	Open on Rise Temperature °C		Close Temperature °C		Open on Rise Temperature °F		Close Temperature °F	
TK24-10-A1	10	+/- 3	-5	+/- 5	50	+/- 5	23	+/- 8
TK24-18-A1	18	+/- 3	-1	+/- 5	65	+/- 5	30	+/- 8
TK24-24-A1	24	+/- 3	4	+/- 5	75	+/- 5	40	+/- 8
TK24-29-A1	29	+/- 3	13	+/- 5	85	+/- 5	55	+/- 8
TK24-35-A1	35	+/- 3	18	+/- 5	95	+/- 5	66	+/- 8
TK24-41-A1	41	+/- 3	24	+/- 5	105	+/- 5	75	+/- 8
TK24-46-A1	46	+/- 3	29	+/- 5	115	+/- 5	85	+/- 8
TK24-52-A1	52	+/- 3	35	+/- 5	125	+/- 5	95	+/- 8
TK24-57-A1	57	+/- 3	41	+/- 5	135	+/- 5	105	+/- 8
TK24-63-A1	63	+/- 3	46	+/- 5	145	+/- 5	115	+/- 8
TK24-68-A1	68	+/- 3	52	+/- 5	155	+/- 5	125	+/- 8
TK24-73-A1	73	+/- 3	57	+/- 5	165	+/- 5	135	+/- 8
TK24-79-A1	79	+/- 3	63	+/- 5	175	+/- 5	145	+/- 8
TK24-85-A1	85	+/- 3	68	+/- 5	185	+/- 5	155	+/- 8
TK24-91-A1	91	+/- 3	73	+/- 5	195	+/- 5	164	+/- 8
TK24-96-A1	96	+/- 3	79	+/- 5	205	+/- 5	175	+/- 8
TK24-102-A1	102	+/- 3	85	+/- 5	215	+/- 5	185	+/- 8
TK24-107-A1	107	+/- 4	91	+/- 5	225	+/- 6	195	+/- 8
TK24-113-A1	113	+/- 4	96	+/- 5	235	+/- 6	205	+/- 8
TK24-118-A1	118	+/- 4	102	+/- 5	245	+/- 6	215	+/- 8
TK24-124-A1	124	+/- 4	107	+/- 5	255	+/- 7	225	+/- 8
TK24-135-A1	135	+/- 4	120	+/- 5	275	+/- 7	248	+/- 8
TK24-146-A1	146	+/- 4	129	+/- 5	295	+/- 7	264	+/- 8
TK24-155-A1	155	+/- 5	140	+/- 7	311	+/- 8	284	+/- 12
TK24-165-A1	165	+/- 5	150	+/- 8	329	+/- 8	302	+/- 15
TK24-175-A1	175	+/- 5	160	+/- 8	347	+/- 8	320	+/- 15
TK24-185-A1	185	+/- 6	155	+/- 10	365	+/- 10	311	+/- 18
TK24-195-A1	195	+/- 6	165	+/- 10	383	+/- 10	329	+/- 18
TK24HT-205-A1	205	+/- 6	175	+/- 10	401	+/- 10	347	+/- 18
TK24HT-215-A1	215	+/- 7	185	+/- 10	419	+/- 13	365	+/- 18
TK24HT-225-A1	225	+/- 7	195	+/- 10	437	+/- 13	383	+/- 18
TK24HT-235-A1	235	+/- 7	205	+/- 10	455	+/- 13	401	+/- 18
TK24HT-250-A1	250	+/- 8	220	+/- 10	482	+/- 15	428	+/- 18
TK24HT-250-A2	250	+/- 15	190	+/- 10	482	+/- 27	374	+/- 18
TK24HT-275-A1	275	+/- 17	215	+/- 10	527	+/- 31	419	+/- 18
TK24HT-300-A1	300	+/- 18	240	+/- 10	572	+/- 32	464	+/- 18
TK24HT-325-A1	325	+/- 20	265	+/- 10	617	+/- 36	509	+/- 18
TK24HT-350-A1	350	+/- 21	290	+/- 10	662	+/- 39	554	+/- 18

**Parts less than 150 degrees C have phenolic housing – parts greater than 150 C have ceramic housing.*